



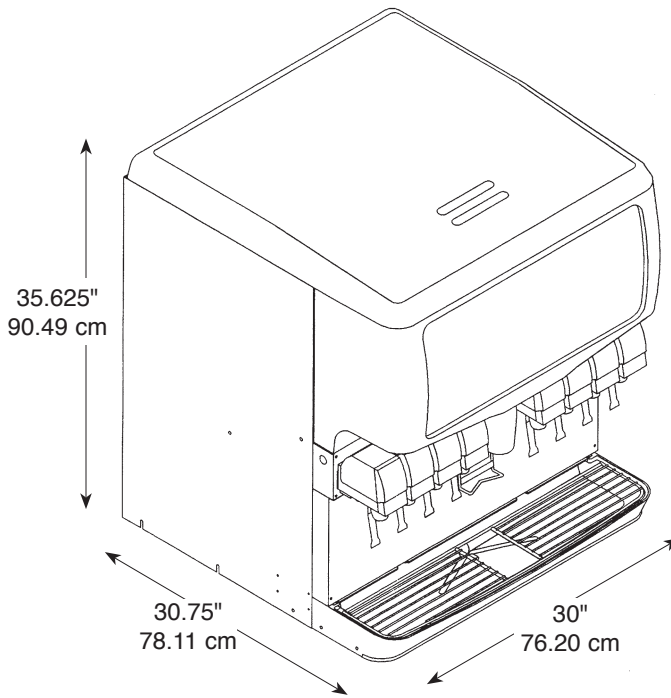
## **ENDURO 200**

POST-MIX ICE DRINK DISPENSER



### **FEATURES:**

- 200 lb. ice capacity
- Available with 8 or 10 UFB-1™ sanitary lever or push button valves
- Illuminated merchandiser delivers high impact marketing message
- New and improved TotalFlex™ – easily changes from carbonated to non-carbonated
- Gravity ice dispensing with positive shut-off provides excellent ice targeting
- Ice used to cool cold plate is separate from ice dispensed into cups
- One piece ABS thermoformed plastic ice storage hopper (Durabide™ design) provides durability and ensures all ice in the hopper is dispensable
- Unit readily accepts top mount cubers with manual ice fill capability
- Stainless steel cabinet
- Modular design allows for easy component access from the front of the unit



PART NUMBER	DESCRIPTION
621053108	Ice Drink Dispenser with 8 UFB-1™ 2-4 oz Sanitary Lever Valves
0511152	Ice Drink Dispenser with 8 UFB-1™ 2-4 oz Push Button Valves
621053107	Ice Drink Dispenser with 10 UFB-1™ 2-4 oz Sanitary Lever Valves
621053106	Ice Drink Dispenser with 10 UFB-1™ 2-4 oz Push Button Valves
3473	Drink dispenser stand dimensions: 30"H x 30"W x 30"D
629087406	Leg Kit contains four 4" (102 mm) legs

Order optional leg kit separately.

## TECHNICAL SPECIFICATIONS:

ICE STORAGE CAPACITY . . . . . 200 lb (90.72 kg)

ICE BEVERAGE MANIFOLDING TotalFlex

CUP CLEARANCE . . . . . 10" (25.40 cm)

COOLING CAPACITY . . . . . 10-12 oz drinks/min  
@ 75°F




DRAIN CONNECTION . . . . . 0.75" PVC (NPT) or  
1" I.D. flexible tubing

GRAPHIC DIMENSIONS . . . . . Overall:  
11.083"H x 24.794"W  
Viewable:  
10.608"H x 24.17"W

STANDARD FEATURES . . . . . Beverage key switch,  
Timed ice agitation

ELECTRICAL RATING . . . . . 115 V / 60 Hz / 3.5 Amps

SHIPPING WEIGHT . . . . . 310 lb (140.61 kg)

AGENCY LISTINGS . . . . .     
City of Los Angeles

